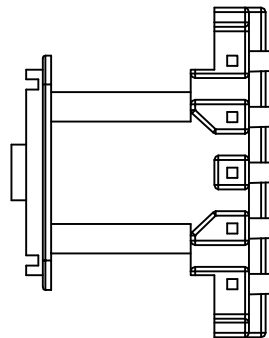
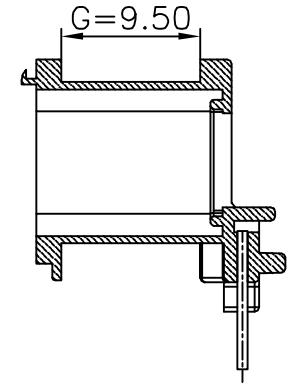
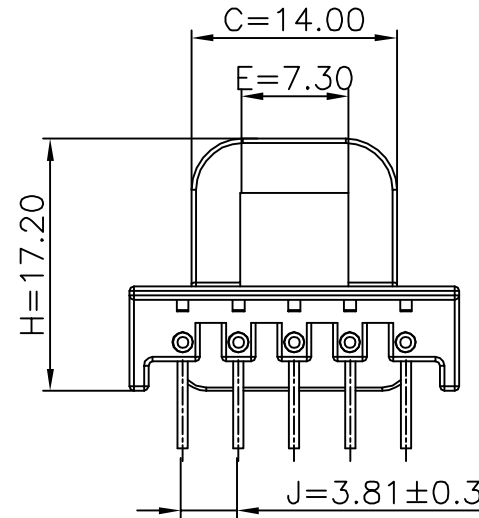
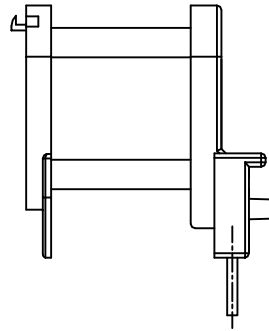


$I = \sqrt{Q0.70 \pm 0.03}$



| ▲                                      |               |          |   |                   |  |             |          |
|--|---------------|----------|---|-------------------|--|-------------|----------|
| ▲                                      |               |          |   |                   |  |             |          |
| ▲                                      |               |          |   |                   |  |             |          |
| ▲                                      |               |          |   |                   |  |             |          |
| MARK                                   | REVISION NOTE |          |   | DATE              | DRAWN  | CHECKED     | APPROVED |
| DRAWN                                  | CHECKED       | APPROVED | MATERIAL : PET (NA)                                 | UL REC. : UL94V-0 | THIRD ANGLE PROJ.                                | SCALE : 1/1 |          |
| HK, Yang                               | SH, Kim       | C, Park  | Z : PIN LENGTH<br>(According to customer's request) | DATE : 12.12.26   | TOLERANCE : ±0.2<br>(Unless otherwise specified) | UNIT : m/m  |          |
| 주식회사 대흥보빈<br>DAE HEUNG BOBBIN CO., LTD |               |          | TITLE<br>EF 20 SECONDARY (5P)                       |                   | DWG NO<br>DH-990204-6083-00                      |             |          |